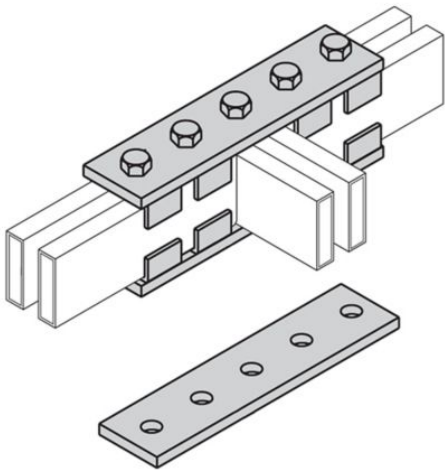


Eaton SB205BKYZ

Catalog Number: SB205BKYZ

Eaton auxiliary support kit, Steel, Plates, framing clips and 1/2"-13 bolts and hardware, Yellow zinc, 2" X 9/16" length, Junction kit



General specifications

Product Name	Catalog Number
Eaton auxiliary support kit	SB205BKYZ
UPC	Product Length/Depth
799038015864	9.75 in
Product Height	Product Width
5.75 in	2 in
Product Weight	Certifications
6.6 lb	Not Applicable

Product specifications

Model

2" X 9/16" junction kit

Material

Steel

Finish

Yellow zinc chromate

Resources

Catalogs

[auxillary supports](#)

Specifications and datasheets

[Eaton Specification Sheet - SB205BKYZ](#)



Eaton Corporation plc
Eaton House
30 Pembroke Road
Dublin 4, Ireland
Eaton.com

© 2023 Eaton. All Rights Reserved.

Eaton is a registered trademark.

All other trademarks are property of their respective owners.



[Eaton.com/socialmedia](https://www.eaton.com/socialmedia)